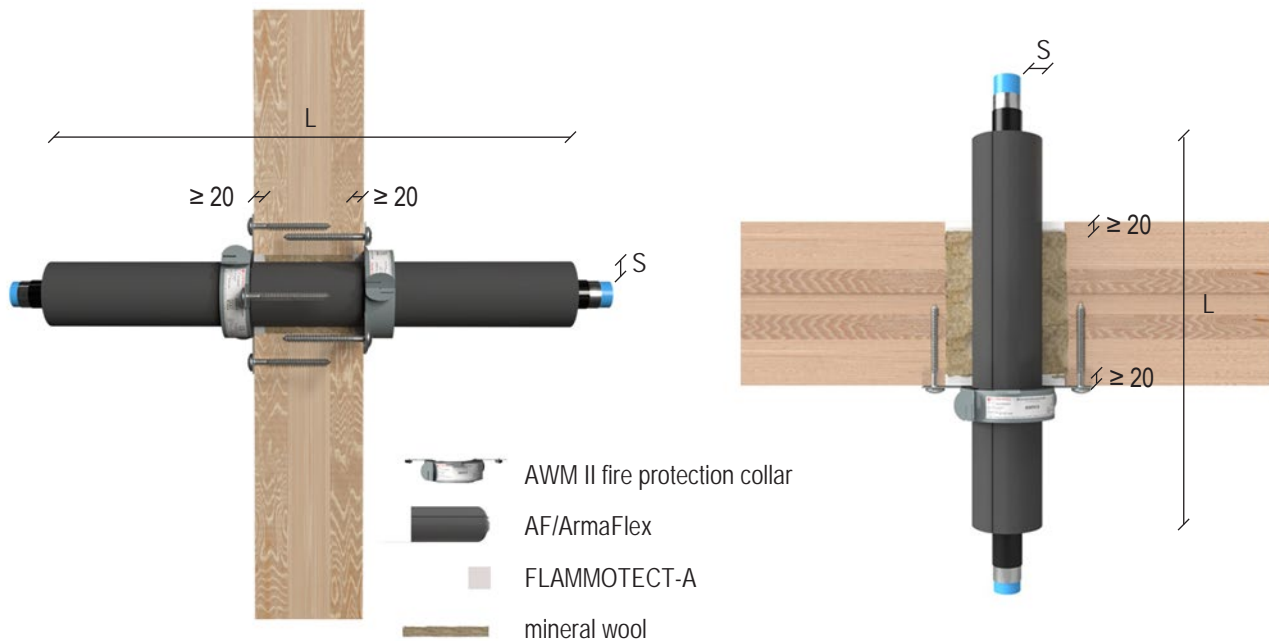


## Multilayer pipes with fire protection collar in wall and floor seals



All specifications in mm

The fire protection collar must be fastened with timber construction screws (length 80 mm (wall, offset installation) or 100 mm (floor,  $\varnothing \geq 6$  mm)).

Wall					
Wall thickness $\geq 100$ mm, CLT layers: 30/40/30					
Type of pipe	Outer diameter [mm]	Pipe wall thickness [mm]	Insulation length L [mm]	Insulation thickness S [mm]	Fire resistance class
<b>Geberit Mepla</b>	$\geq 16.0 - \leq 20.0$	2.25–2.5	$\geq 800$	17.0–21.0	EI 90 U/C
	$> 20.0 - \leq 26.0$	2.5–3.0		17.5–21.0	
	$> 26.0 - \leq 32.0$	3.0		18.5–21.0	
	$> 32.0 - < 40.0$	3.0–3.5		19.0–20.5	
	40.0	3.5		20.5–21.0	
	$> 40.0 - \leq 50.0$	3.5–4.0		21.0	
<b>REHAU RAUTITAN stabil</b>	$\geq 16.0 - \leq 20.0$	2.6–2.9	$\geq 800$	17.0–21.0	EI 90 U/C
	$> 20.0 - \leq 25.0$	2.9–3.7		17.5–21.0	
	$> 25.0 - \leq 32.0$	3.7–4.7		18.5–21.0	
	$> 32.0 - \leq 40.0$	4.7–6.0		20.5–21.0	
	$> 40.0 - \leq 50.0$	6.0		21.0	
<b>Viega Raxofix</b>	$\geq 16.0 - \leq 20.0$	2.2–2.8	$\geq 800$	17.0–21.0	EI 90 U/C
	$> 20.0 - \leq 25.0$	2.7–2.8		17.5–21.0	
	$> 25.0 - \leq 32.0$	2.7–3.2		18.5–21.0	
	$> 32.0 - \leq 40.0$	3.2–3.5		20.5–21.0	
	$> 40.0 - \leq 50.0$	3.5–4.0		21.0	

Floor						
Type of pipe	Outer diameter [mm]	Pipe wall thickness [mm]	Insulation length L [mm]	Insulation thickness S [mm]	Fire resistance class	
Geberit Mepla	≥ 16.0 – ≤ 20.0	2.25–2.5	≥ 840	16.0–21.0	EI 90 U/C	
	> 20.0 – ≤ 26.0	2.5–3.0		17.5–21.0		
	> 26.0 – ≤ 32.0	3.0		19.0–21.0		
	> 32.0 – < 40.0	3.0–3.5		20.5–21.0		
	40.0	3.5		20.5–21.0		
	> 40.0 – ≤ 50.0	3.5–4.0		21.0		
REHAU RAUTITAN stabil	≥ 16.0 – ≤ 20.0	2.6–2.9		≥ 840	17.0–21.0	EI 90 U/C
	> 20.0 – ≤ 25.0	2.9–3.7			17.5–18.5	
	> 25.0 – ≤ 32.0	3.7–4.7			18.5–19.0	
	> 32.0 – ≤ 40.0	4.7–6.0			20.5–21.0	
	> 40.0 – ≤ 50.0	6.0			21.0	
Viega Raxofix	≥ 16.0 – ≤ 20.0	2.2–2.8			≥ 840	17.0–21.0
	> 20.0 – ≤ 25.0	2.7–2.8	17.5–21.0			
	> 25.0 – ≤ 32.0	2.7–3.2	18.5–21.0			
	> 32.0 – ≤ 40.0	3.2–3.5	20.5–21.0			
	> 40.0 – ≤ 50.0	3.5–4.0	21.0			