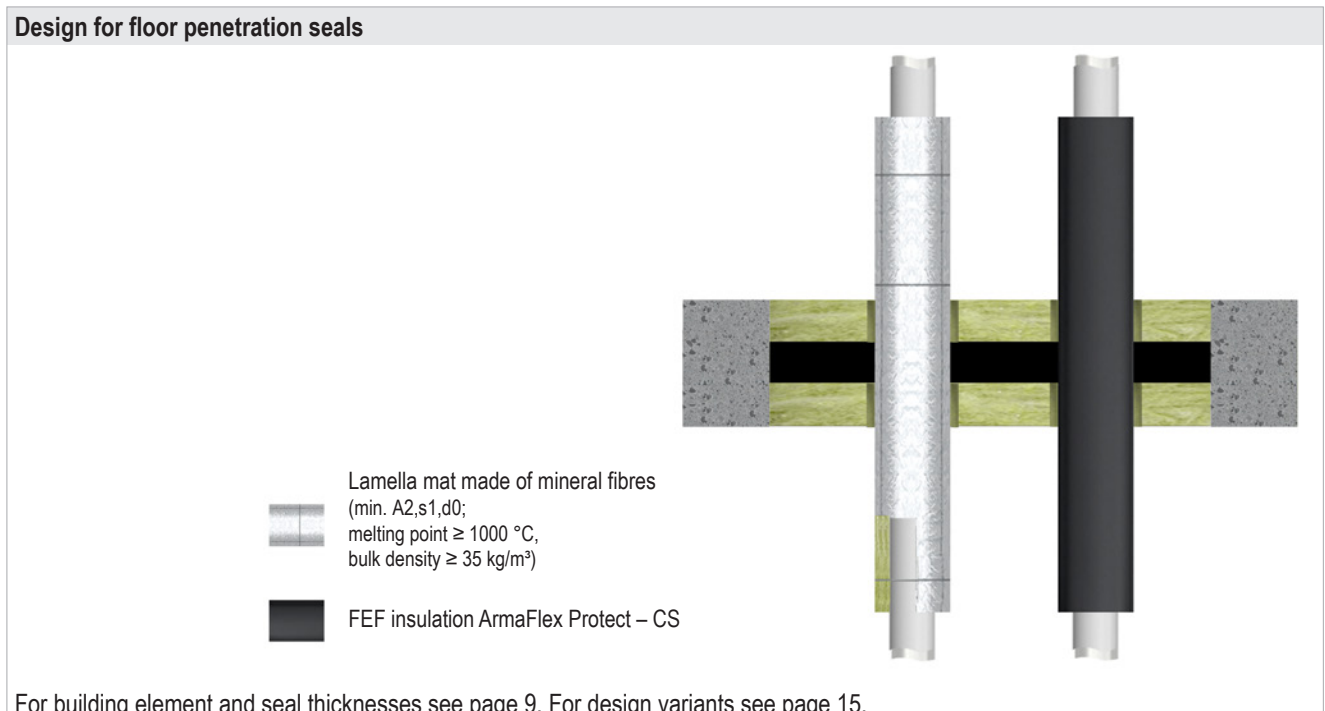


System Flammotect 2 × 50 mm

8.6 Multilayer pipes

8.6.1 Design with FEF insulation ArmaFlex Protect or lamella mat

The lamella mat must be secured with winding wire against falling out.



For building element and seal thicknesses see page 9. For design variants see page 15.

Floor					
Service		Insulation			Fire resistance class
Pipe outer \varnothing [mm]	Pipe wall thickness [mm]	Type	Length L [mm]	Thickness S [mm]	
Henco					
≤ 12	≥ 1.6	lamella mat	≥ 250	≥ 20	EI 90 U/C
		ArmaFlex Protect	≥ 240	≥ 13	EI 90 U/C
≤ 32	≥ 3.0	lamella mat	≥ 250	≥ 20	EI 90 U/C
		ArmaFlex Protect	≥ 240	≥ 13	EI 90 U/C
≤ 63	≥ 4.5	lamella mat	≥ 250	≥ 30	EI 90 U/C
		ArmaFlex Protect	≥ 240	$\geq 26 (2 \times 13)$	EI 90 U/C