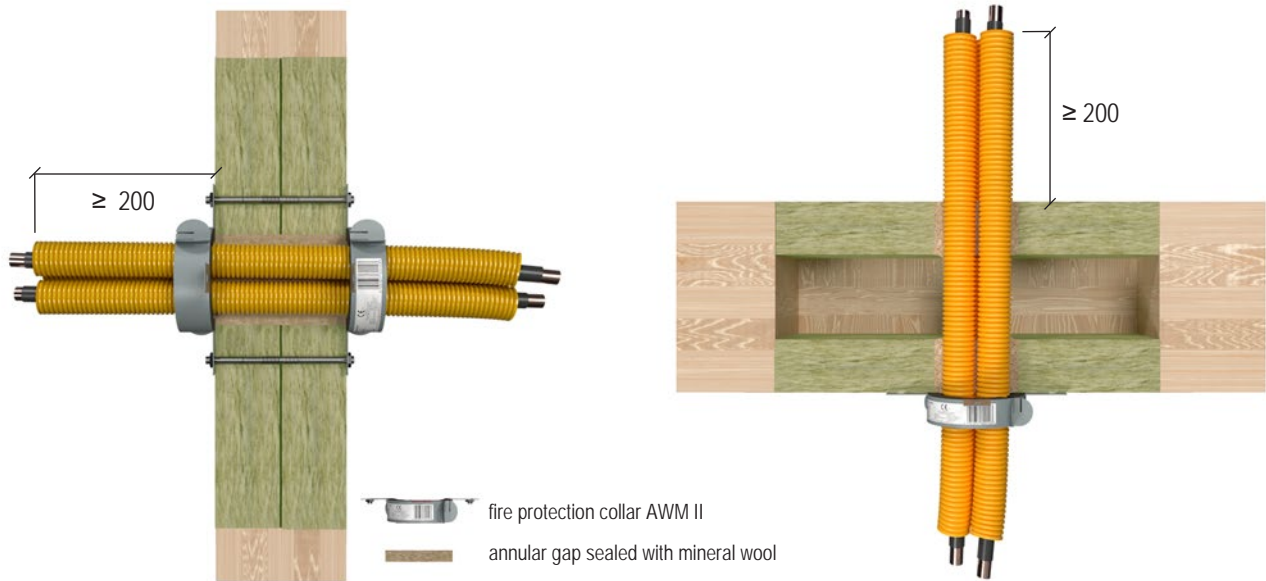


## Electrical installation conduits made of plastic with pipe collar in wall and floor seals



All specifications in mm

Wall and floor			
Service	Outer diameter [mm]	Fire protection collars	Fire resistance class*
Electrical installation conduits made of plastic, single, with/without cables $\leq 21$ mm	$\leq 63$	Wall: AWM II on both sides Decke: AWM II on underside	EI 90 U/C
Electrical installation conduits made of plastic, bundled, with/without cables $\leq 21$ mm	$\leq 32$ , bundled to $\leq 125$		

\* Installing two mineral fibre boards with a thickness of 60 mm or three mineral fibre boards with a thickness of 50 mm raises the fire resistance class to EI 120.

